

① Screw Feeder
NSRI M1.6

② Metric Hex Key 2 mm

③ 2 poles Male C14 - C7
2 pol 1,8 meter

④ UK Plug to C13

⑤ EU Plug to C13

⑥ Screwdriver

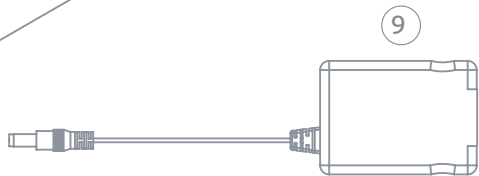
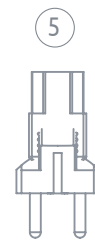
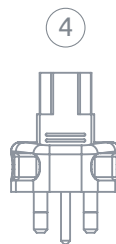
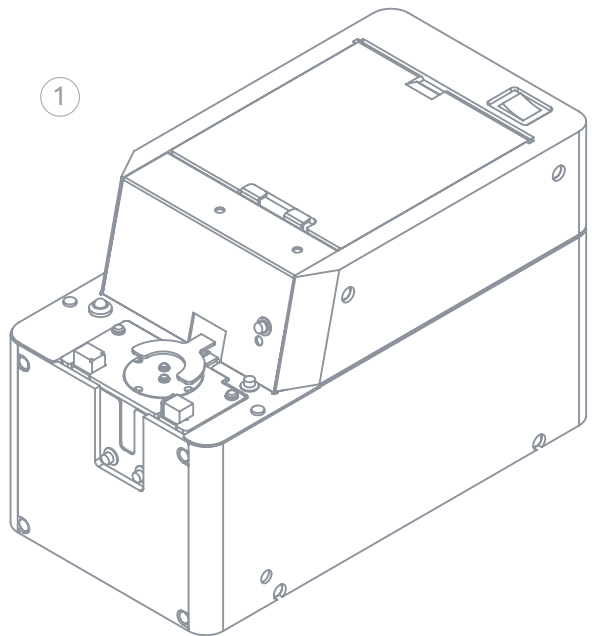
⑦ Grounding cable

⑧ Mini Jack to I/O - 1.8m

⑨ AC adapter 15V NSRI

⑩ AS Plug to C13

⑪ US Plug to C13



① Screw Feeder M2-M6
(Thread size: See outside box)

② Metric Hex Key 2 mm

③ 2 poles Male C14 - C7
2 pol 1,8 meter

④ UK Plug to C13

⑤ EU Plug to C13

⑥ Screwdriver

⑦ Grounding cable

⑧ Mini Jack to I/O - 1.8m

⑨ AC adapter 15V NSRI

⑩ AS Plug to C13

⑪ US Plug to C13